

IR Video Pro 8MP Outdoor Vari-focal Flateye Dual Light Turret Camera with Active Deterrence

The IR Video range of products provides the video surveillance technology for Inner Range's Unified Video, Access and Security solutions. The complete range of products include Video Gateways for providing the link to Inner Range's IR Connect cloud services and through to the full connected eco-system of Inner Range solutions, Edge Cameras incorporating onboard storage and video analytics, and Active Deterrence Cameras providing Video Analytic driven alarm conditions into the IR Eco-system.

The IR CONNECT Mobile Application provides users with the ability to remotely connect, arm & disarm the unified solution, receive events and alarm notifications and associated video to verify the situation on site. This comprehensive security solution incorporating Video, Access Control and Intruder Alarm protects your premises, your assets and most importantly... your people.

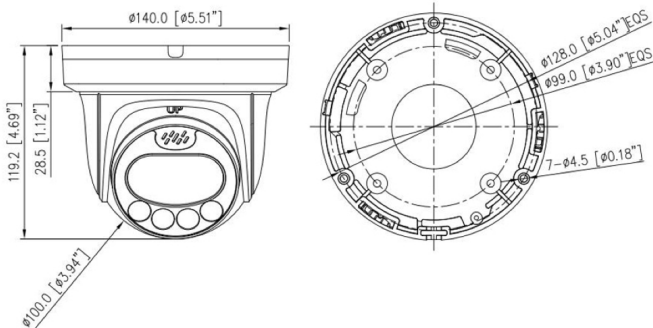
Key Features

- 1/1.8" progressive scan CMOS
- Active Deterrence 2.7 -13.5mm
- Max. 8MP(3840×2160) @25/30fps resolution
- 2.8mm/4mm fixed lens optional
- Support face, human, vehicle detection and capture
- Intelligent analysis: intrusion, single line crossing, double line crossing, loitering, wrong-way, people counting and video metadata
- True WDR, 3D DNR, ROI, Defog, HLC
- Built-in mic and speaker, 1/1 audio input/output, 1/1 alarm input/output
- Built-in SD card slot
- Built-in IR/warm lights, illumination distance up to 40m
- IP66


IR-V-C8T-200Z

IR-V-C8T-200ZB

Dimensions (mm)



Accessories


**JUNCTION BOX
IR-V-BKT-JB-02**

**PENDANT CAP
IR-V-BKT-ADT-02**

**PENDANT MOUNT
IR-V-BKX-PEN-01**

**WALL MOUNT
IR-V-BKX-WAL-01**

**WALL MOUNT
IR-V-BKX-WAL-02**

**POLE MOUNT
IR-V-BKP-POL-01**

**JUNCTION BOX
IR-V-BKT-JB-02B**

**PENDANT CAP
IR-V-BKT-ADT-02B**

**PENDANT MOUNT
IR-V-BKX-PEN-01B**

**WALL MOUNT
IR-V-BKX-WAL-01B**

**WALL MOUNT
IR-V-BKX-WAL-02B**

Specification

Camera	
Image Sensor	1/1.8" Progressive Scan CMOS
Max Resolution	8MP, 3840(H) × 2160(V)
Electronic Shutter	Auto/Manual, 1/5 to 1/20,000s
Min. Illumination	Color: 0.005 Lux @ (F1.6, AGC ON) , B/W: 0 Lux with IR
Day & Night	Auto (ICR)
Angle Adjustment	Pan: 0° to 355°, Tilt: 0° to 80°, Rotation: 0° to 360°
Lens	
Lens Type	Fixed Focus
Iris	Fixed Iris
Focal Length	2.8mm 4mm
F Number	F1.6 F1.6
Angle of View	H: 106°, V: 58.6° H: 90.3°, V: 48.1°
Illuminator	
Illuminator Type	IR, warm light
Illumination Distance	IR distance up to 40 m (131.2 ft) Warm light distance up to 30 m (98.4 ft)
Illumination On/Off Control	Auto/Manual
Video	
Streaming Capability	3 Streams
Stream/Frame Rate	Stream1: 3840×2160, 2592×1944, 2560×1520, 2560×1440, 2304×1296, 1920×1080, 1280×720 @25/30fps Stream2: D1, VGA, CIF @25/30fps Stream3: VGA, CIF, QVGA @25/30fps
Bit Rate Control	CBR/VBR
Bit Rate	Stream1: 200 Kbps to 16 Mbps Stream2: 100 Kbps to 6 Mbps Stream3: 100 Kbps to 3 Mbps
Smart Encoder	Support
Region of Interest (ROI)	Off/On (8 Zone, Rectangle)
Audio	
Compression	G.711, RAW_PCM
Bit Rate	64Kbps (G.711), 128Kbps (RAW_PCM)
Smart Function	
Multi-Object Detection	Supports face, human, vehicle detection and capture
Intelligent Analysis	Intrusion, Single line crossing, Double line crossing, Loitering, Wrong-way Support alarm triggering by specified target types (human and vehicle).
People Counting	Support

Image	
Image Adjustment	Brightness, Sharpness, Contrast, Saturation adjustable
Aisle Mode	Support
Mirror	Support
White Balance	Auto/Manual
Day/Night Setting	Auto, Day, Night, Time
Smart IR	Support
Noise Reduction	2D/3D DNR
Image Enhancement	HLC, BLC, Defog
Wide Dynamic Range	True WDR
S/N Ratio	55dB
Privacy Masking	4 areas
Network	
Protocols	IPv4/IPv6, HTTP, HTTPS, TCP/UDP, RTSP/RTCP/RTP, DHCP, DNS, DDNS, PPPoE, SMTP, 802.1x, UPnP, FTP, NTP, ARP, SNMP, TLS/SSL
Interoperability	ONVIF, SDK
Streaming Method	Multicast
Max. User Access	10 Users
Web Viewer	<IE11, Chrome, Firefox
Language	English, Chinese, Polish, Italian, Portuguese, Spanish, Russian, French, Czech, Hungarian. Default: English
Interface	
Network Interface	1 Ethernet (10/100 Base-T) RJ-45 Connector
Built-in Microphone	Support
Built-in Speaker	Support
Audio Interface	1ch Input, 1ch Output
Alarm Interface	1ch Input, 2ch Output
SD Card Slot	Built-in, up to 512GB
Reset Button	Support
Electrical	
Power Supply	DC12V (-15% to +25%)/PoE (IEEE 802.3af)
Power Consumption	Max. 9.5 W
Operating Temperature	-35°C to 60°C (-31°F to 140°F)
Operating Humidity	Less than 90% RH
Ingress Protection	IP66
Certifications	CE/FCC
Casing	Metal + Plastic
Dimensions	140 × 119.2mm (5.5 × 4.69 inch)
Net Weight	0.9kg (1.98lb)