

The IR Video range of products provides the video surveillance technology for Inner Range's Unified Video, Access and Security solutions. The complete range of products include Video Gateways for providing the link to Inner Range's IR Connect cloud services and through to the full connected eco-system of Inner Range solutions, Edge Cameras incorporating onboard storage and video analytics, and Active Deterrence Cameras providing Video Analytic driven alarm conditions into the IR Eco-system.

The IR CONNECT Mobile Application provides users with the ability to remotely connect, arm & disarm the unified solution, receive events and alarm notifications and associated video to verify the situation on site. This comprehensive security solution incorporating Video, Access Control and Intruder Alarm protects your premises, your assets and most importantly... your people.

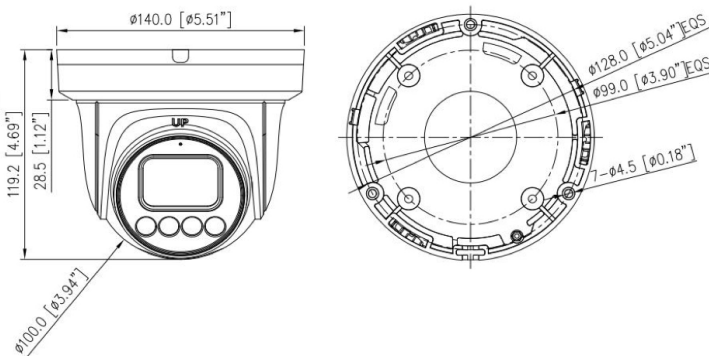
Key Features

- 1/1.8" progressive scan CMOS
- Max. 8MP(3840×2160) @25/30fps resolution
- 3.6 to 11 mm motorized lens
- Support face, human, vehicle detection and capture
- Intelligent analysis: intrusion, single line crossing, double line crossing, loitering, wrong-way, people counting and video metadata
- True WDR, 3D DNR, ROI, Defog, HLC
- Built-in mic, 1/1 audio input/output, 1/1 alarm input/output
- Built-in SD card slot
- Built-in IR/warm lights, illumination distance up to 40m
- IP66


IR-V-C8T-120Z

IR-V-C8T-120ZB

Dimensions (mm)



Accessories


**JUNCTION BOX
IR-V-BKT-JB-02**

**PENDANT CAP
IR-V-BKT-ADT-02**

**PENDANT MOUNT
IR-V-BKX-PEN-01**

**WALL MOUNT
IR-V-BKX-WAL-01**

**WALL MOUNT
IR-V-BKX-WAL-02**

**POLE MOUNT
IR-V-BKP-POL-01**

**JUNCTION BOX
IR-V-BKT-JB-02B**

**PENDANT CAP
IR-V-BKT-ADT-02B**

**PENDANT MOUNT
IR-V-BKX-PEN-01B**

**WALL MOUNT
IR-V-BKX-WAL-01B**

**WALL MOUNT
IR-V-BKX-WAL-02B**

Specification

Camera				
Image Sensor	1/1.8" Progressive Scan CMOS			
Max Resolution	8MP, 3840(H) × 2160(V)			
Electronic Shutter	Auto/Manual, 1/5 to 1/20,000s			
Min. Illumination	Color: 0.003 Lux @ (F1.3, AGC ON) , B/W: 0 Lux with IR			
Day & Night	Auto (ICR)			
Angle Adjustment	Pan: 0° to 355°, Tilt: 0° to 80°, Rotation: 0° to 360°			
Lens				
Lens Type	Motorized focus			
Iris	DC-Iris			
Focal Length	3.6 to 11 mm			
F Number	F1.3			
Angle of View	H: 110.6° to 47.3°, V: H: 57.9° to 26.8°			
DORI Distance				
Lens	Detect	Observe	Recognize	Identify
Wide (3.6mm)	92 m (301.8 ft)	36.8 m (120.7 ft)	18.4 m (60.4 ft)	9.2 m (30.2 ft)
Tele (11mm)	250 m (820.2 ft)	100 m (328.1 ft)	50 m (164.0 ft)	25 m (82.0 ft)
Illuminator				
Illuminator Type	IR			
Illumination Distance	Distance up to 40 m (131.2 ft)			
Illumination On/Off Control	Auto/Manual			
Video				
Streaming Capability	3 Streams			
Stream/Frame Rate	Stream1: 3840×2160, 2592×1944, 2560×1520, 2560×1440, 2304×1296, 1920×1080, 1280×720 @25/30fps Stream2: D1, VGA, CIF @25/30fps Stream3: VGA, CIF, QVGA @25/30fps			
Bit Rate Control	CBR/VBR			
Bit Rate	Stream1: 200 Kbps to 16 Mbps Stream2: 100 Kbps to 6 Mbps Stream3: 100 Kbps to 3 Mbps			
Smart Encoder	Support			
Region of Interest (ROI)	Off/On (8 Zone, Rectangle)			
Audio				
Compression	G.711, RAW_PCM			
Bit Rate	64Kbps (G.711), 128Kbps (RAW_PCM)			
Smart Function				
Multi-Object Detection	Supports face, human, vehicle detection and capture			
Intelligent Analysis	Intrusion, Single line crossing, Double line crossing, Loitering, Wrong-way Support alarm triggering by specified target types (human and vehicle).			
People Counting	Support			

Image	
Image Adjustment	Brightness, Sharpness, Contrast, Saturation adjustable
Aisle Mode	Support
Mirror	Support
White Balance	Auto/Manual
Day/Night Setting	Auto, Day, Night, Time
Noise Reduction	2D/3D DNR
Image Enhancement	HLC, BLC, Defog
Wide Dynamic Range	True WDR
S/N Ratio	55dB
Privacy Masking	Support
Network	
Protocols	IPv4/IPv6, HTTP, HTTPS, TCP/UDP, RTSP/RTCP/RTP, DHCP, DNS, DDNS, PPPoE, SMTP, 802.1x, UPnP, FTP, NTP, ARP, SNMP, TLS/SSL
Interoperability	ONVIF, SDK
Streaming Method	Multicast
Max. User Access	10 Users
Web Viewer	<IE11, Chrome, Firefox
Language	English, Chinese, Polish, Italian, Portuguese, Spanish, Russian, French, Czech, Hungarian. Default: English
Interface	
Network Interface	1 Ethernet (10/100 Base-T) RJ-45 Connector
Built-in Microphone	Support
Audio Interface	1ch Input, 1ch Output
Alarm Interface	1ch Input, 1ch Output
SD Card Slot	Built-in, up to 512GB
Reset Button	Support
Electrical	
Power Supply	DC12V (-15% to +25%)/PoE (IEEE 802.3af)
Power Consumption	Max. 9.5 W
Operating Temperature	-35°C to 60°C (-31°F to 140°F)
Operating Humidity	Less than 90% RH
Ingress Protection	IP66
Certifications	CE/FCC
Casing	Metal + Plastic
Dimensions	140 × 119.2mm (5.5 × 4.69 inch)
Net Weight	0.9kg (1.98lb)