

# Inception **USB-RS232 Alarm Communicator I/F Cable**

## P/N: 996798

### Installation Manual.

**NOTE:** This installation manual must be read in conjunction with:

- The Inception Controller installation manual.
- The relevant Alarm Communicator installation manual.

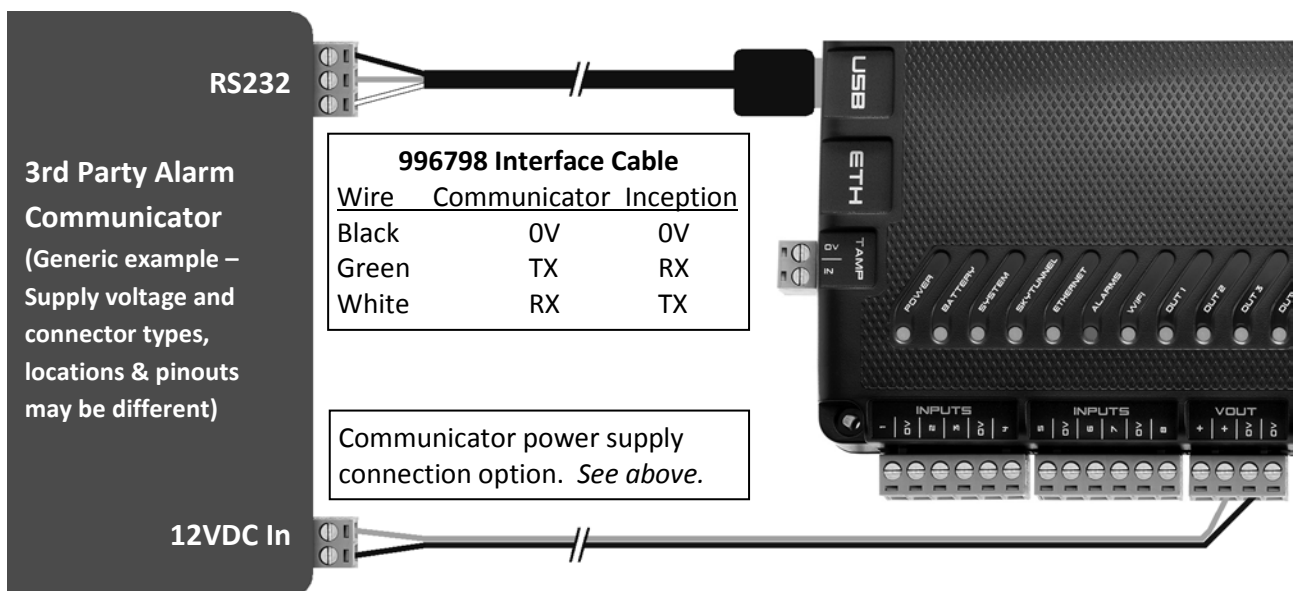
This interface cable allows an Inception Controller USB port to be connected to the RS232 interface port on supported 3<sup>rd</sup> party alarm communicators or other supported 3<sup>rd</sup> party devices.

**Installation.** Install the Alarm Communicator and Inception Controller in accordance with the manufacturer’s installation instructions, applicable standards and local regulations. Both devices are typically installed in the same enclosure.

**NOTE:** When installed in the Inner Range Small Enclosure with a Communicator, the Inception controller needs to be raised to provide access to the USB connector. Four threaded brass standoffs are provided in the Inception Controller installation kit to raise the mounting plate or the controller.

**Alarm Communicator Power Supply.** If regulations allow and if the Communicator’s power supply voltage/current requirements are compatible, it may be powered from the Inception Controller VOUT terminals (shown below). If powered in this way, remember to allow for the current required by the communicator when calculating the Controller’s total output current.

**Inception USB Port.** If more than one device needs to connect to the USB Port, (e.g. An Alarm Communicator and a Wireless Adapter) an Inception USB Hub may be purchased to provide up to 4 USB Ports.



**Disclaimer:** While every effort has been made to ensure the accuracy of this manual, the manufacturer assumes no responsibility or liability for any errors or omissions. Due to ongoing development, product specifications and the contents of this manual are subject to change without notice.